

# FOOT DOOR HANDLE

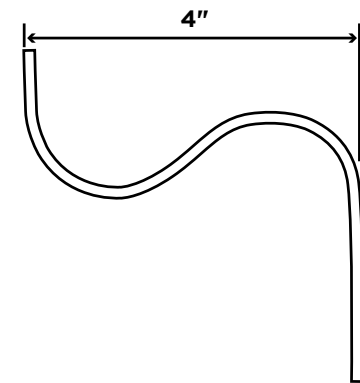
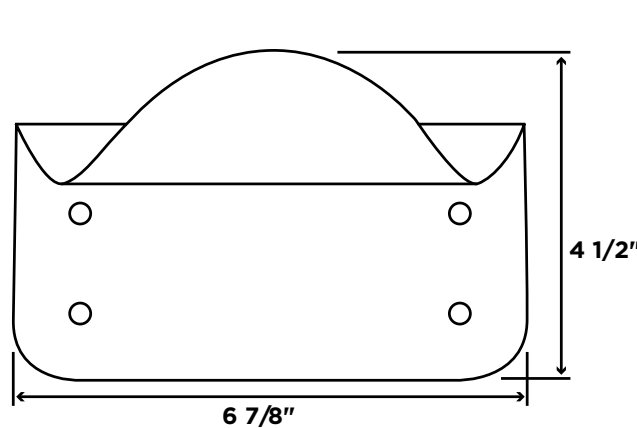
Eliminate the spread of germs.

## PRODUCT SPECIFICATIONS:

- Thick gauge stainless steel construction
- Easy installation
- Low-cost solution
- Hardware not included
- Price on request

ART-FDH-1 L 6.875" | W 4" | H 4.5"

Email for pricing and lead times:  
[sales@artitalia.com](mailto:sales@artitalia.com)



**Sterilcoat: Germicidal Powder Coating** available by request. Additional costs may apply.

# FOOT DOOR HANDLE



At Artitalia the health and safety of our colleagues and community is our utmost priority. It is clear that germ prevention and hygiene strategies are critical in today's reality. We are focused on designing and manufacturing low-cost and effective products to help offer a germ-free environment.

To mitigate the spread of COVID-19 and other virus we have developed this hands free door opener.