

# FLOOR STAND HYGIENIC SHIELD

Safeguard for customers and employees on place systems.

## PRODUCT SPECIFICATIONS:

- **Material:** Custom commercial grade polycarbonate
- **Finish:** Clear
- Adjustable heights with a knurled spring plunger
- Low profile, flat base
- Pricing on demand

DES-03667 L 16" | W 31.75" | H 57"&+



OVAL DES-03667-01



RECTANGULAR DES-03667-02

Email for pricing and lead times:  
[sales@artitalia.com](mailto:sales@artitalia.com)

**Sterilcoat: Germicidal Powder Coating** available by request. Additional costs may apply.

# FLOOR STAND HYGIENIC SHIELD

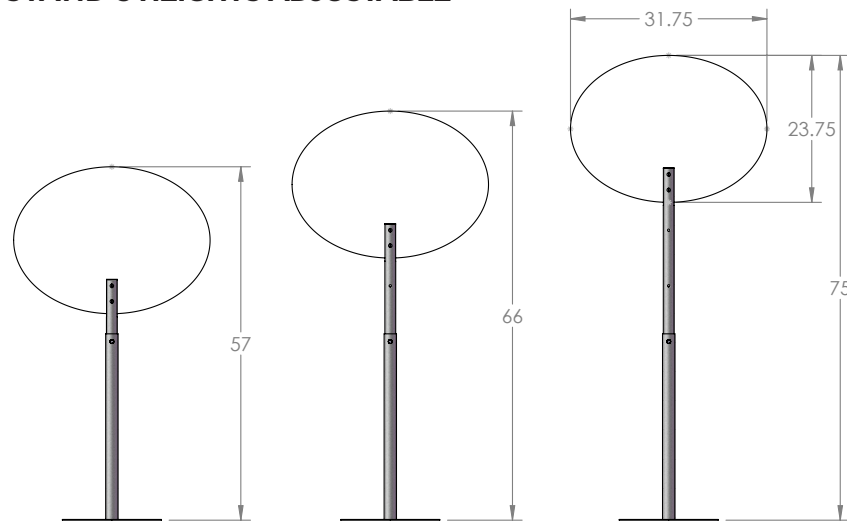
Safeguard for customers and employees on place systems.

## PRODUCT SPECIFICATIONS:

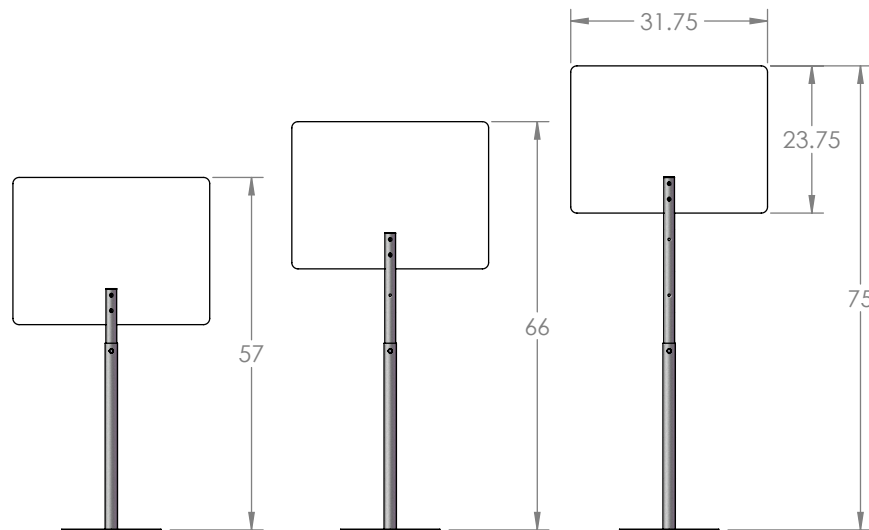
- **Material:** Custom commercial grade polycarbonate
- **Finish:** Clear
- Adjustable heights with a knurled spring plunger
- Low profile, flat base
- Pricing on demand

DES-03667 L 16" | W 31.75" | H 57"&+

## FLOOR STAND 3 HEIGHTS ADJUSTABLE



OVAL DES-03667-01



RECTANGULAR DES-03667-02

Email for pricing and lead times:  
[sales@artitalia.com](mailto:sales@artitalia.com)

**Sterilcoat: Germicidal Powder Coating** available by request. Additional costs may apply.

## FLOOR STAND HYGIENIC SHIELD

Safeguard for customers and employees on place systems.

### PRODUCT SPECIFICATIONS:

- **Material:** Custom commercial grade polycarbonate
- **Finish:** Clear
- Adjustable heights with a knurled spring plunger
- Low profile, flat base
- Pricing on demand

DES-03667 | L 16" | W 31.75" | H 57"&+

### FLOOR STAND FOR OFFICES



RECTANGULAR | DES-03667-02

Email for pricing and lead times:  
[sales@artitalia.com](mailto:sales@artitalia.com)

**Sterilcoat: Germicidal Powder Coating** available by request. Additional costs may apply.

## FLOOR STAND HYGIENIC SHIELD

Safeguard for customers and employees on place systems.

### PRODUCT SPECIFICATIONS:

- **Material:** Custom commercial grade polycarbonate
- **Finish:** Clear
- Adjustable heights with a knurled spring plunger
- Low profile, flat base
- Pricing on demand

DES-03667 | L 16" | W 31.75" | H 57"&+

Email for pricing and lead times:  
[sales@artitalia.com](mailto:sales@artitalia.com)

### FLOOR STAND FOR RESTAURANT SEATINGS



OVAL | DES-03667-01

**Sterilcoat: Germicidal Powder Coating** available by request. Additional costs may apply.

# FLOOR STAND HYGIENIC SHIELD

Safeguard for customers and employees on place systems.

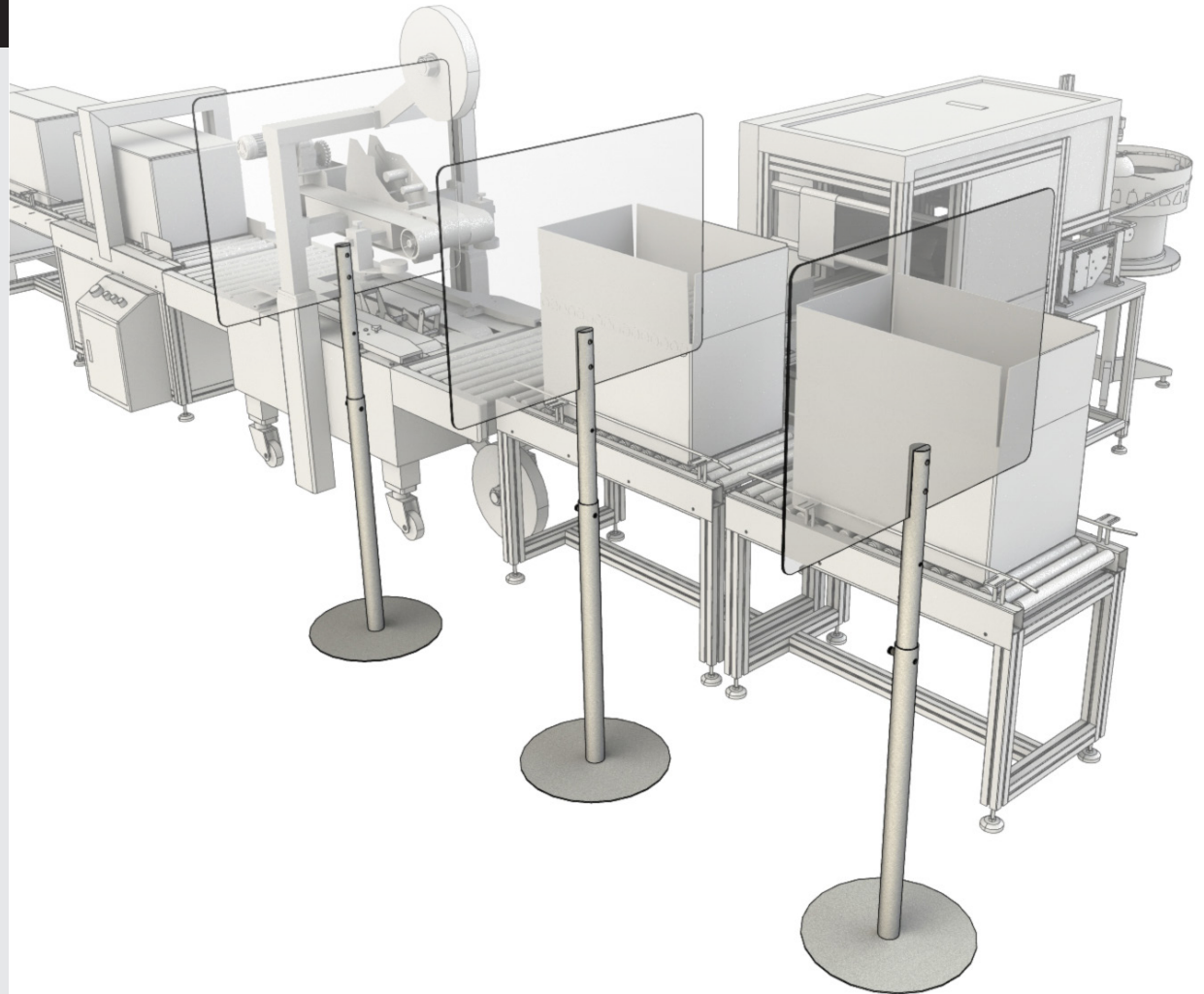
## PRODUCT SPECIFICATIONS:

- **Material:** Custom commercial grade polycarbonate
- **Finish:** Clear
- Adjustable heights with a knurled spring plunger
- Low profile, flat base
- Pricing on demand

DES-03667 L 16" | W 31.75" | H 57"&+

Email for pricing and lead times:  
[sales@artitalia.com](mailto:sales@artitalia.com)

## FLOOR STAND FOR ASSEMBLY LINES



RECTANGULAR DES-03667-02

**Sterilcoat: Germicidal Powder Coating** available by request. Additional costs may apply.

# FLOOR STAND HYGIENIC SHIELD

With governments slowly loosening lockdown restrictions, the return to a sense of normalcy is imminent—or rather the “new” normal is. Artitalia Group has designed a solution to safeguard customers and associates with a simple yet effective Floor Stand Hygienic Shield that can be used in offices, restaurants, factory assembly lines, and areas where close social contact needs to be minimized in order to eliminate the spread of germs.

Made from custom commercial grade polycarbonate, these hygienic shields are adjustable with a knurled spring plunger for 3 different heights, and available with a germicidal powder coating. The low profile base also provides a safe alternative when placed in high traffic areas reducing tripping hazards improving mobility for workplaces, restaurants, and common areas.

Embrace the “new” normal all while keeping safe and mitigating the spread of germs with this cost-effective and smart solution for your customers and associates.