

PROTECTIVE SAFETY SHIELD

Safeguard for clients and
customer-facing associates
for grocery checkout counters.

PRODUCT SPECIFICATIONS:

- **Material:** Custom commercial grade acrylic
- C.R.S with powder coated finish
- **Finish:** Clear
- Tools required to install - Hardware kit supplied
- Custom sizes available
- Pricing on demand

ART-PSS-11 L 55.5" | W 7" | H 42"

Email for pricing and lead times:
sales@artitalia.com



ART-PSS-11



PROTECTIVE SAFETY SHIELD

Safeguard for clients and
customer-facing associates
for checkout counters.

PRODUCT SPECIFICATIONS:

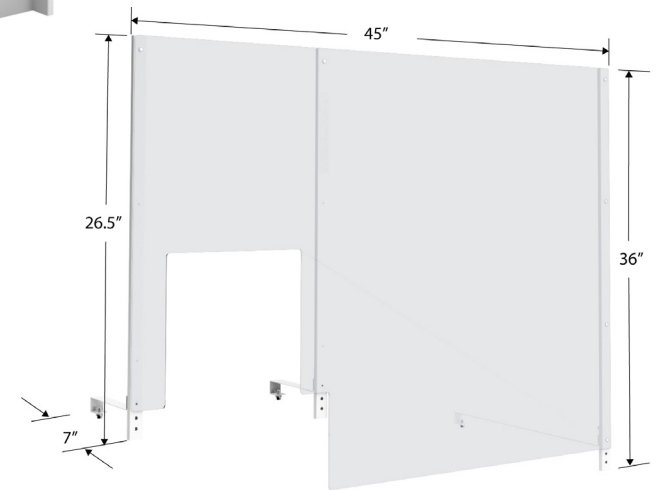
- **Material:** Custom commercial grade acrylic
- C.R.S with powder coated finish
- **Finish:** Clear
- Tools required to install - Hardware kit supplied
- Custom sizes available
- Pricing on demand

ART-PSS-12 L 45" | W 7" | H 36"

Email for pricing and lead times:
sales@artitalia.com



ART-PSS-12



PROTECTIVE SAFETY SHIELD

Safeguard for clients and
customer-facing associates
for checkout counters.

PRODUCT SPECIFICATIONS:

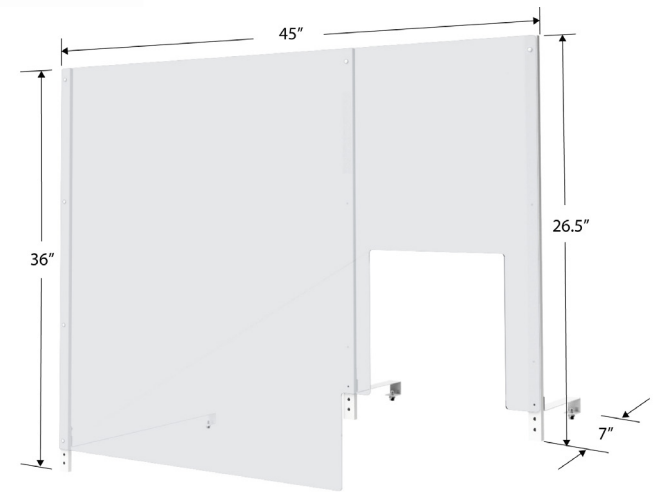
- **Material:** Custom commercial grade acrylic
- C.R.S with powder coated finish
- **Finish:** Clear
- Tools required to install - Hardware kit supplied
- Custom sizes available
- Pricing on demand

ART-PSS-13 L 45" | W 7" | H 36"

Email for pricing and lead times:
sales@artitalia.com



ART-PSS-13



PROTECTIVE SAFETY SHIELD

Safeguard for clients and
customer-facing associates
for checkout counters.

PRODUCT SPECIFICATIONS:

- **Material:** Custom commercial grade acrylic
- C.R.S with powder coated finish
- **Finish:** Clear
- Tools required to install - Hardware kit supplied
- Custom sizes available
- Pricing on demand

ART-PSS-14 | L 32" | W 26" | H 39"

Email for pricing and lead times:
sales@artitalia.com



ART-PSS-14



PROTECTIVE SAFETY SHIELD

Safeguard for clients and
customer-facing associates
for checkout counters.

PRODUCT SPECIFICATIONS:

- **Material:** Custom commercial grade acrylic
- C.R.S with powder coated finish
- **Finish:** Clear
- Tools required to install - Hardware kit supplied
- Custom sizes available
- Pricing on demand

ART-PSS-15 L 32" | W 26" | H 39"

Email for pricing and lead times:
sales@artitalia.com



ART-PSS-15



PROTECTIVE Safety Shields

These are unprecedented times and during this period of uneasiness and uncertainty, Artitalia Group is dedicated to do its part to protect our clients and the community at large.

Amidst shortages of protective gear we are diverting our manufacturing capabilities to meet some of these needs. We understand your concerns at the retail level to protect your associates and your clients.

With this in mind, Artitalia has designed and will commence immediate production of custom Protective Safety Shields that can be installed at the POS to help protect your associates and in turn your clients. These safety shields are being developed for some of the most essential retail outlets required at this time such as pharmacies, grocery stores, convenience stores and banking institutions.

Artitalia Group will be donating a portion of all sales of the Protective Safety Shields in support to the families and individuals affected by the COVID-19 Pandemic in North-America.

We recognize that these are unsettling times and your safety and wellbeing is our top priority.